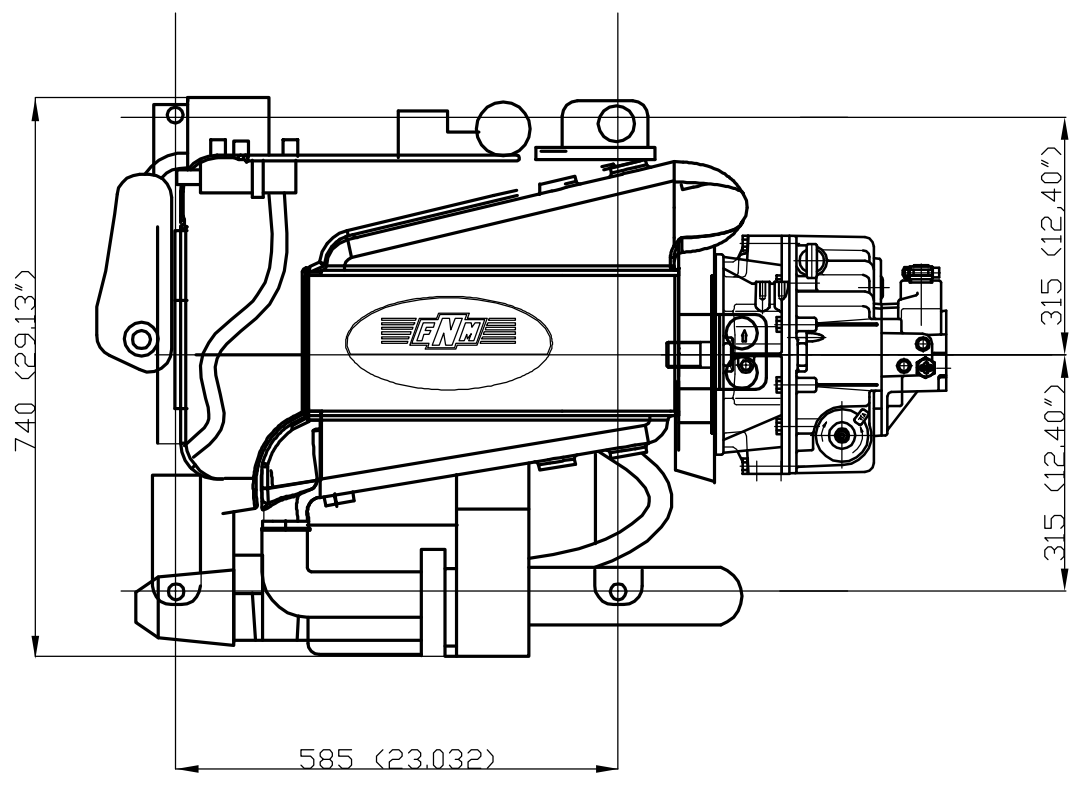
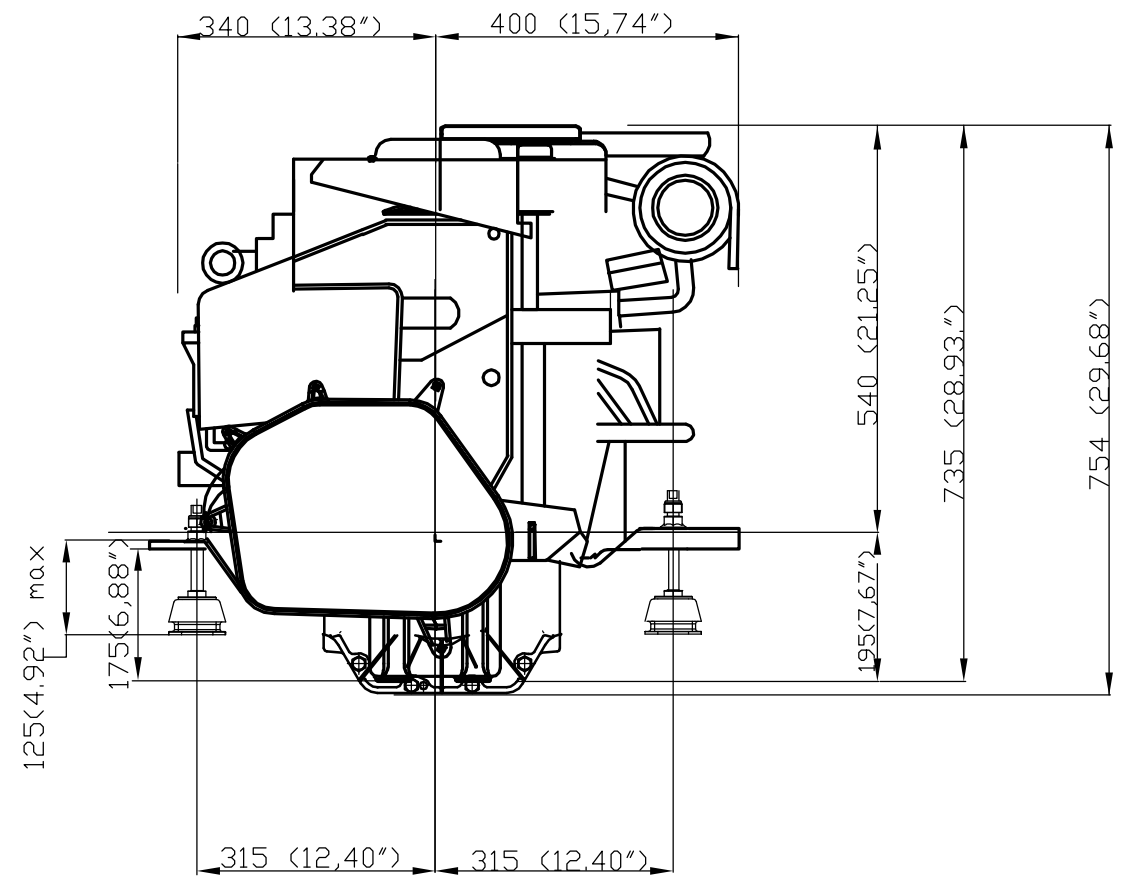
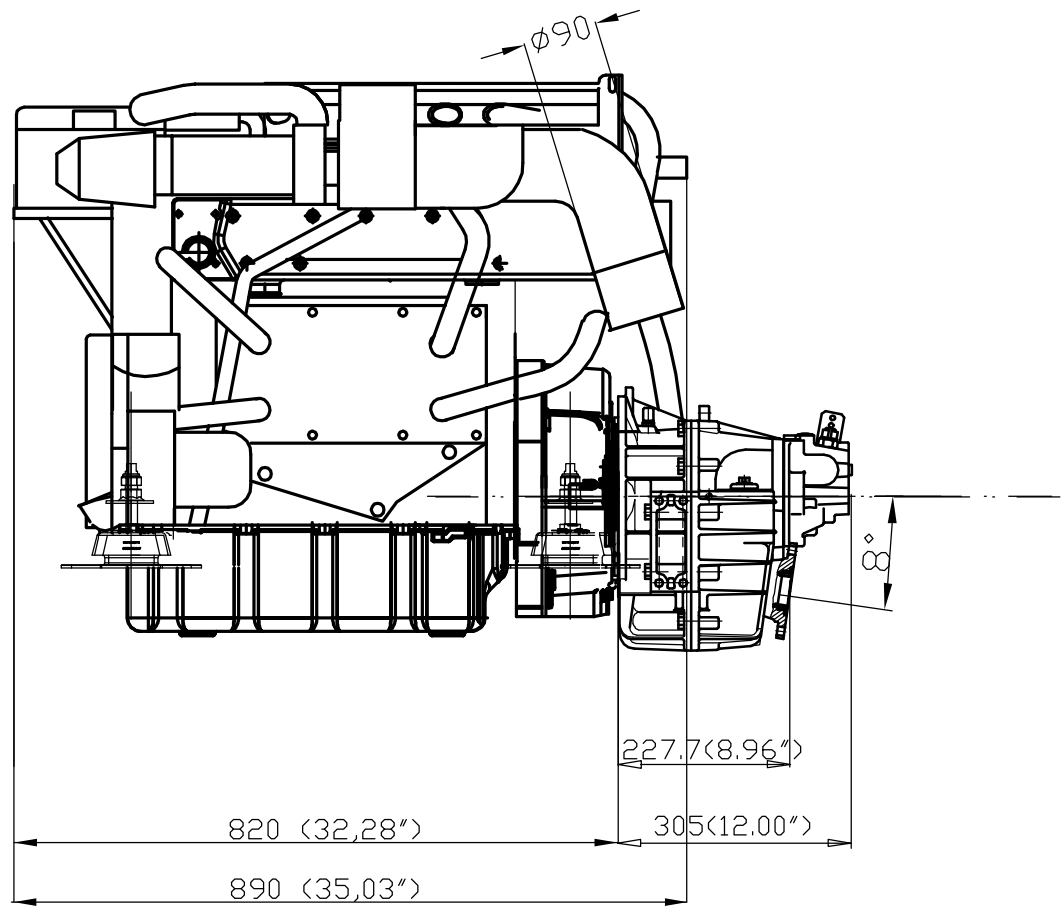


A
B
C
D
E



N.	N.Mod.	Date	Change request				Signature																																																															
All proprietary rights reserved by C.M.D. s.r.l. This drawing shall not be reproduced or in any way utilized for the manufacture of the component or unit herein illustrated and must not be released to other parties without written consent. Any infringement will be legally pursued.			Drawn	Date	03/07	Name	ARCIERI	Signature																																																														
Proprietà della C.M.D. s.r.l. Senza autorizzazione scritta della stessa, il presente disegno non potrà essere comunque utilizzato per la costruzione dell'oggetto rappresentato né venire comunicato a terzi o riprodotto. La società proprietaria tutela i propri diritti a rigore di legge.			Checked																																																																			
<table border="1"> <tr> <th>Tollerances</th> <th>DIM.</th> <th>0</th> <th>6</th> <th>30</th> <th>120</th> <th>315</th> <th>1000</th> <th>2000</th> <th>0</th> <th>6</th> <th>30</th> <th>120</th> <th>315</th> </tr> <tr> <td>UNI 5307-63</td> <td>GROS.</td> <td>±0.2</td> <td>±0.5</td> <td>±0.8</td> <td>±1.2</td> <td>±2.0</td> <td>±3.0</td> <td></td> <td></td> <td></td> <td></td> <td></td> <td></td> </tr> <tr> <td></td> <td>MED.</td> <td>±0.1</td> <td>±0.2</td> <td>±0.3</td> <td>±0.5</td> <td>±0.8</td> <td>±1.2</td> <td>±1'</td> <td>±30'</td> <td>±20'</td> <td>±10'</td> <td></td> <td></td> </tr> <tr> <td></td> <td>PREC.</td> <td>±0.05</td> <td>±0.1</td> <td>±0.15</td> <td>±0.2</td> <td>±0.3</td> <td>±0.5</td> <td></td> <td></td> <td></td> <td></td> <td></td> <td></td> </tr> </table>			Tollerances	DIM.	0	6	30	120	315	1000	2000	0	6	30	120	315	UNI 5307-63	GROS.	±0.2	±0.5	±0.8	±1.2	±2.0	±3.0								MED.	±0.1	±0.2	±0.3	±0.5	±0.8	±1.2	±1'	±30'	±20'	±10'				PREC.	±0.05	±0.1	±0.15	±0.2	±0.3	±0.5							<table border="1"> <tr> <td>CMD</td> <td>Assembly</td> </tr> <tr> <td>COSTRUZIONI MOTORI DIESEL</td> <td></td> </tr> <tr> <td>ATELLA (Potenza) - ITALY</td> <td></td> </tr> </table>				CMD	Assembly	COSTRUZIONI MOTORI DIESEL		ATELLA (Potenza) - ITALY		Part name DIMENSIONALE MOTORE HPE 225 20V CON INVERT. ZF 45A	Scale 1:10
Tollerances	DIM.	0	6	30	120	315	1000	2000	0	6	30	120	315																																																									
UNI 5307-63	GROS.	±0.2	±0.5	±0.8	±1.2	±2.0	±3.0																																																															
	MED.	±0.1	±0.2	±0.3	±0.5	±0.8	±1.2	±1'	±30'	±20'	±10'																																																											
	PREC.	±0.05	±0.1	±0.15	±0.2	±0.3	±0.5																																																															
CMD	Assembly																																																																					
COSTRUZIONI MOTORI DIESEL																																																																						
ATELLA (Potenza) - ITALY																																																																						
<table border="1"> <tr> <td>FILE</td> <td>HPE 225 20V</td> <td>Sheet N.</td> <td>1</td> </tr> <tr> <td></td> <td></td> <td>N. Sheets</td> <td>1</td> </tr> </table>							FILE	HPE 225 20V	Sheet N.	1			N. Sheets	1																																																								
FILE	HPE 225 20V	Sheet N.	1																																																																			
		N. Sheets	1																																																																			